

City of Kodiak
Sanitary Sewer Lift Station 5 Temporary Bypass Installation Phase I
PN 11-06/7524
Addendum No. 1
August 31, 2023

The following change(s) and/or clarification(s) are made to the Plan and Specification Documents of Invitation to Bid for the Sanitary Sewer Lift Station 5 Temporary Bypass Installation Phase I PN 11-06/7524:

A. REPLACE BID FORM

1. Replace the Bid Form with the attached

B. SANITARY SEWER LIFT STATION 5 TEMPORARY BYPASS INSTALLATION PHASE 1: DRAWINGS

1. Replace Sheet BYPASS PH1 of the Contract Drawings with the attached Sheet BYPASS PH1. Addendum 1 provides additional information to establish the finished elevations of the 90° bend, blind flange, and valve boxes to be installed during Phase 1. Also adds construction of a gravel pad and ecology block thrust blocking to Phase 1 work.

C. QUESTIONS

1. DBE requirements are stated in the specs. As this will be performed 100% in house, please consider striking this requirement.

ANSWER: Comply with DBE requirements as specified.

2. There is existing grass over the excavation location. Please confirm if this grass will need to be replaced at the completion of the project.

ANSWER: Grass will not need to be replaced. Finish grade will be compacted gravel.

3. There is an existing water line service running over the top of the double valves on the force main. This service will not be able to remain during the excavation operations, and will need to be relocated. Please verify if you would like the line relocated in a different location or temporarily relocated during the work, and then placed back in to the existing location.

ANSWER: Existing water line services (two each) running over the top of the double valves on the force main shall be temporarily relocated during the work, and then placed back in the existing location.

D. SPECIAL PROVISIONS

DIVISION 500 – SANITARY SEWERS

Article 502.1 Description; Add the following: The City of Kodiak will provide pipe and fittings shown on sheet BYPASS PH1; SECTION AA. Reference to attached Core & Main order sheets T332490 and T453487. The City will also provide cast iron valve box and stem extensions. The Contractor shall provide the concrete blocking and hardware shown on sheet BYPASS PH1; SECTION BB. The City-provided pipe and fittings are expected in Kodiak on or about October 5, 2023.

City of Kodiak
Sanitary Sewer Lift Station 5 Temporary Bypass Installation Phase I
PN 11-06/7524
Addendum No. 1
August 31, 2023

DIVISION 800 – MISCELLANEOUS
SECTION 802 – TRAFFIC MAINTENANCE

Article 802.1 Description: Add the following: Maintain access to 2578 Metrokin Way, 2585 Metrokin Way and 2593 Metrokin Way.

Article 802.18 Basis of Payment

Add the following pay item:

ITEM NO.	DESCRIPTION	UNIT
802(8)	Traffic Maintenance	Contingent Sum

There are no changes to the Bid opening Time and Location.

END OF ADDENDUM NO. 1

CITY OF KODIAK

BID FORM

Project: Sanitary Sewer Lift Station 5 Temporary Bypass Installation Phase I PN 11-06/7524

Date of Invitation: August 4, 2023

Bidders Declaration

The undersigned Bidder declares he has a thorough understanding of the Bidding Documents, including, but not limited to: the Plans; Specifications; General Conditions; Supplementary Conditions; Bonding and Insurance requirements; the Contract; payment conditions; and the Contract Times and Liquidated Damages. The Bidder agrees to all terms and conditions of the Bidding Documents. Furthermore, the Bidder agrees to perform the Work in full conformance with the Bidding Documents for the prices set forth on this Bid Form.

The Bidder hereby acknowledges he has received the following list of Addenda:

Addendum No.	Date Issued

1. All labor material and equipment to construct temporary bypass
Lump Sum

	\$	
Written in Words		Figures

2. Traffic maintenance
Contingent Sum

Twenty-five thousand and no/100 Dollars		\$25,000.00
Written in Words		Figures

Total Bid:

	\$	
Written in Words		Figures

Enclosed is a Bid Bond in the Amount of 10% of the Bid consisting of _____

Enclosed is a copy of the Bidder's Alaska Contractor's Certificate No. _____

Enclosed is a copy of the Bidder's Alaska Business License No. _____

Name of Bidder _____

CITY OF KODIAK

BID FORM

Project: Sanitary Sewer Lift Station 5 Temporary Bypass Installation Phase I PN 11-06/7524

Date of Invitation: August 4, 2023

Name of Bidder _____

Bidder is: _____ An Individual
_____ A Partnership
_____ A Corporation in the State of _____
_____ A Joint Venture

Address _____

Authorized Signature _____

Printed Name _____

Title _____

This Bid shall be sealed in an envelope addressed to:

City Manager
710 Mill Bay Road, Room 114
Kodiak, Alaska 99615

The envelope shall be clearly marked:

Bid Documents: Sanitary Sewer Lift Station 5 Temporary Bypass Installation Phase I PN
11-06/7524

To be Opened: 2:00 p.m.
Tuesday, September 5, 2023

Name of Bidder _____

BY-PASS PUMP CONNECTION GENERAL NOTES - 2X "PREMIER PUMP MODEL" 66121- SUPPLIED BY THE CITY OF KODIAK:

1. INSTALL 12-INCH DIP W/ ANSI 125# FL.
2. ALL WORK SHALL BE PER CITY OF KODIAK STANDARD CONSTRUCTION SPECIFICATIONS & STANDARD DETAILS: 2012 EDITION.
3. ALL BYPASS PIPING SHALL BE PRESSURE TESTED AT 50psi FOR 1 HOUR. ALL CONNECTIONS AND PIPING SHALL BE WATER TIGHT. CITY OF KODIAK SHALL BE CONTACTED IN WRITING 48 HOURS BEFORE TESTING.
4. ALL EQUIPMENT, PIPING FITTINGS, AND HARDWARE NOT PROCURED AND SUPPLIED BY THE CITY OF KODIAK SHALL BE SUBMITTED FOR REVIEW.
5. EXISTING GROUND CONTOURS AND SITE FEATURES ARE BASED ON TOPOGRAPHIC SURVEY PERFORMED BY TIM WILLMAN PLS ON DECEMBER 2020. CONTRACTOR SHALL VERIFY SITE CONDITIONS.

2593 METROKIN WAY HOUSE DECK

CUT-OFF ROAD

PHASE 1 EXISTING 16-INCH GATE VALVE & DRY-WELL ISOLATION VALVE
 CONTRACTOR SHALL INSTALL CAST IRON VALVE BOX AND STEM EXTENSION, TWO LOCATIONS. CONSTRUCT GRAVEL PAD TO ELEVATION 16.0' IN AREA OF ECOLOGY BLOCK THRUST BLOCKING AND MANIFOLD CONNECTION, PER SECTION BB. SET VALVE BOX AT ELEVATION= 16.0'. STEM EXTENSION SHALL BE WITHIN 3-FOOT OF GROUND SURFACE.

EXISTING 16-INCH GATE VALVE:
 INSTALL BY-PASS RISER PER SECTION AA

CONCRETE ECOLOGY BLOCKING SECURED TO PIPING FOR THRUST BLOCKING PER SECTION BB

EX. LIFT STATION, APPROXIMATE LOCATION

EX. WET WELL

4"x4" CEDAR WOOD POST ATTACHED TO STEEL ANGLE AND CONTACTING 12" DIP

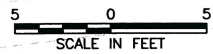
METROKIN WAY

EX. GRAVITY SEWER TO REMAIN IN SERVICE DURING CONSTRUCTION

EX. FORCE MAIN TO REMAIN IN SERVICE DURING CONSTRUCTION

EX. LIFT STA. WET WELL AND ACCESS MANHOLE

EX. ELECTRICAL GENERATOR WWTP POWER AND EX. LIFT STATION PUMP POWER AND CONTROL CIRCUITS



INSTALL BLIND FLANGE AT COMPLETION OF PHASE 1

INSTALL 150 psi 1/2 TURN SS BALL VALVE -AIR RELEASE

12-INCH FL DIP 90° BEND

3.83' 12-INCH DIP

FINISHED GRADE ELEVATION= 16.0'

EXISTING GRADE ELEVATION= 14.0'

12-INCH DIP

INSTALL CAST IRON VALVE BOX AND STEM EXTENSION, SET VALVE BOX AT ELEVATION= 16.0', STEM EXTENSION SHALL BE WITHIN 3-FOOT OF GROUND SURFACE

TOP OF PIPE ELEVATION= -0.5'

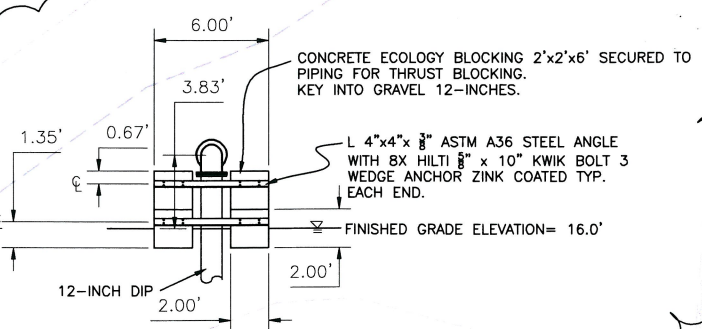
RESTRAINED CONNECTION SHALL BE AN "EBBA IRON SERIES 2100 MEGAFLANGE" OR APPROVED EQUAL TYPICAL.

16x12-INCH, FL OR MJ, DIP REDUCER

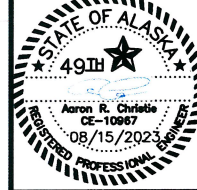
16-INCH DIP 90° MJ BEND & THRUST BLOCK, CONNECT TO EXISTING GATE VALVE

EXISTING 16-INCH MJ GATE VALVE

PHASE 1 SECTION AA - MANIFOLD CONNECTION



REV	DATE	DESCRIPTION
1	08/15/23	ADDENDUM NO. 1



KODIAK SANITARY SEWER
 LIFT STATION 5
 PHASE 1 - BELOW GROUND
 EMERGENCY BY-PASS PUMP SITE PLAN
 KODIAK, ALASKA

CHECKED BY:	MKT
DESIGNED BY:	AJM
DRAWN BY:	AJM
DATE:	AUGUST 2023
LOCATION:	KODIAK
PN:	S32 T27S R19W SM 1128.63263.01



Customer #	114428
Order #	T332490
Date Ordered	08/02/23
Job #	
Job Name	
Customer Reference	S
Purchase Order #	S
Method of Shipment	PICKUP
Contract Order #	0000000
Ordered By	STEVE WILSON
Ship Via	

Sold To:
 CITY OF KODIAK
 ANCHORAGE BRANCH
 OFFICE OF COMPTROLLER
 PO BOX 1397
 KODIAK, AK 99615-1397

Ship To:
 CITY OF KODIAK
 Branch - 585
 440 W 40th Ave
 Anchorage, AK 99503

Branch:
 ANCHORAGE AK
 Branch - 585
 440 W 40th Ave
 Anchorage, AK 99503

 Phone: 907-563-3315

Bid Seq#	Product Code	Description	Qty Ordered	Qty Shipped	Qty B/O	Net Price	UOM	Ext Price
	21MJA16	16 MJXMJ ADPT SERIES 100 W/ACC FB EPOXY COAT STAR MJA16 TRANSFER PER BILL - BR# 555	1		1	821.36000	EA	.00
	21I169F	16 MJXFLG 90 C153 IMP	1		1	1868.24000	EA	.00
	24I16R120F401PR	16X12 FLG RED C110 P401 PR IMP	1		1	1565.00000	EA	.00
	25I12FF1800	12 FLGXFLG DI PIPE 18' IMP	1		1	4696.00000	EA	.00
	24I129FPR	12 FLG 90 C110 PR IMP	1		1	1842.44000	EA	.00
	25I12FF0500	12 FLGXFLG DI PIPE 5' IMP	1		1	2065.45000	EA	.00
	24I12FB	12 BLIND FLG DI IMP	1		1	517.50000	EA	.00
	24AFFGFTY12SBR	12X1/8 SBR FLANGE TYTE FF GSKT NSF61 APPROVED	4		4	39.80000	EA	.00
	24AFBNKS12304	12 304SS HEX BOLT & NUT KIT	4		4	95.00000	EA	.00
	24AFFGFTY16SBR	16X1/8 SBR FLANGE TYTE FF GSKT NSF61 APPROVED	1		1	80.00000	EA	.00
	24AFBNS16304	16 304SS BOLT & NUT KIT L/GSK 12" FLANGED PIPE IS 3 WEEKS AND FITTINGS ARE 3 WEEKS OUT FOB KODIAK	1		1	152.00000	EA	.00

Terms in accordance with shipping manifest.

Special Instructions/Comments:
 WARNING-HEAVY ITEM-LIFT ASSISTANCE REQ'D

Total Shipped:		.00
Total Ordered:	14147.19	



Customer #	114428
Order #	T453487
Date Ordered	08/22/23
Job #	
Job Name	
Customer Reference	S
Purchase Order #	S
Method of Shipment	PICKUP
Contract Order #	0000000
Ordered By	
Ship Via	

Sold To:
 CITY OF KODIAK
 ANCHORAGE BRANCH
 OFFICE OF COMPTROLLER
 PO BOX 1397
 KODIAK, AK 99615-1397

Ship To:
 CITY OF KODIAK
 Branch - 585
 440 W 40th Ave
 Anchorage, AK 99503

Branch:
 ANCHORAGE AK
 Branch - 585
 440 W 40th Ave
 Anchorage, AK 99503

 Phone: 907-563-3315

Bid Seq#	Product Code	Description	Qty Ordered	Qty Shipped	Qty B/O	Net Price	UOM	Ext Price
	25I12FP1706PR	12 FLGXPE DI PIPE PR 17'6" PRIMED IMP	1			4560.00000	EA	4560.00
	2412F211200SS4	12 MEGA-FLG 2112SS4 304SS B&N 211200SS4	1			1033.02000	EA	1033.02

Terms in accordance with shipping manifest.

Special Instructions/Comments:
 WARNING-HEAVY ITEM-LIFT ASSISTANCE REQ'D

Total Ordered:	5593.02
Tax Amount:	.00
Other Charges:	.00
Total:	5593.02